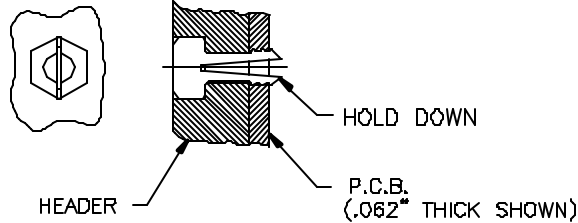


Tous droits strictement réservés. Reproduction ou communication à des tiers interdite sans quelque forme que ce soit sans autorisation écrite du propriétaire. Property of FCI. Details de reproduction FCI.

PRODUCT NO. 72294-XXX	STAND-OFF DIM X	SOLDER TAIL DIM P	HEADER 92821-XXX (A)	GUIDE ASSEMBLY 92791-XXX (B)	GUIDE ASSEMBLY 92791-XXX (C)	MOUNTING STYLE TO P.C.B.
-000	0mm	2.8mm	000	001	001	
-020	2mm	2.5mm	040	021	001	
-500	0mm	2.8mm	500	001	001	
-520	2mm	2.5mm	540	021	001	

NOTE:

ADD "H" TO PART NUMBER FOR OPTIONAL HOLD DOWN (2 PER ASSEMBLY IN EJECT MECHANISM).

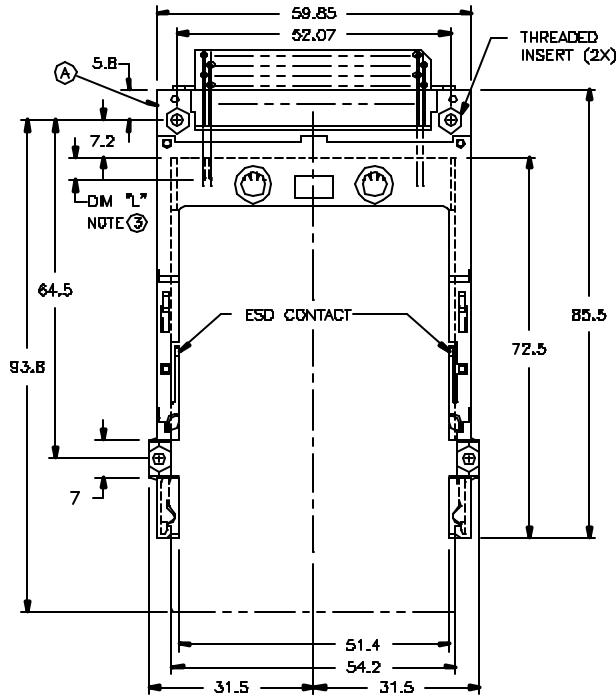
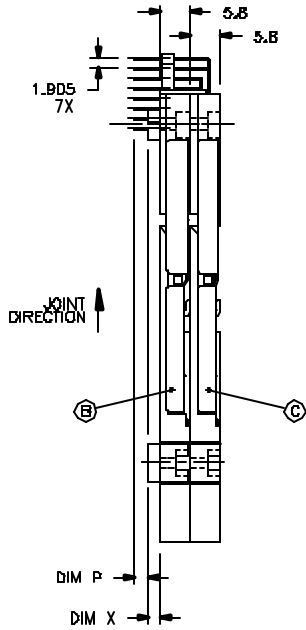


mat'l. code				tolerances unless otherwise specified				CUSTOMER COPY		 www.fciconnect.com	
ltr	ecn no	dr	date	linear	.X±.3			projection	title		
A	V61023	RHC	7/18/95		.XX±.13				DOUBLE DECK HEADER /GUIDE RAILS ASSEMBLY FOR TYPE 123		
B	V12231	TFG	9/18/01	angles	.XXX±.051			 MM	product family		code
					0° ±Z				MCS		-
				dr	R.GRAPE	7/18/95	scale	A4	size		sheet
				engr	D.BRANN	7/16/95			72294		1 of 3
				chr	D.BRANN	7/18/95					
				appd	D.BRANN	7/18/95					
sheet index	revision sheet	B	B	B							
		1	2	3							

All rights strictly reserved. Reproduction or issue to third parties in any form whatsoever is not permitted without written authority from the proprietor. Property of FCI. Copyright FCI.

PRODUCT NO.
72294-XXX

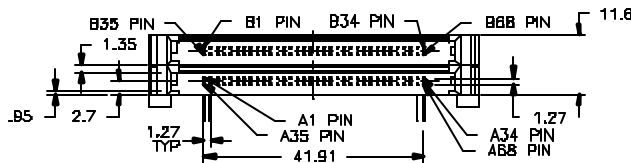
Tous droits strictement réservés. Reproduction ou communication à des tiers
 interdite sans quelque forme que ce soit sans autorisation écrite du propriétaire.
 Property of FCI. Droits de reproduction FCI.



NOTES:

- 1 **HEADER ASSY**
 PLASTIC: HOUSING - LCP UL94V-0 BLACK - ABOVE PCB
 - LCP UL94V-0 NATURAL (WHITE) BELOW PCB
 PIN: PHOSPHOR BRONZE
 GUIDE MECHANISM ASSY
 PLASTIC: GUIDE - POLYPHTHARAMID UL94V-0 BLACK
 COVER PLATE: STAINLESS STEEL
 EMI CONTACT: PHOSPHOR BRONZE
- 2 **FINISH - PIN**
 UNDER PLATING: 0.5 μm MIN. Ni
 CONTACT AREA: 0.1 μm MIN GOLD OVER
 0.5 μm MIN Pd-Ni
 SOLDER TAIL: 2.5 μm MIN Sn-Pb
- ③ DIM "L"

4.25±.1	3.5±.1	5.0±.1
OTHERS	36.87	1,17,34,35,51,68
- 4 **RECOMMENDED HOLD DOWN - 2mm SCREWS**
 (B5121-DD1) FOR 72294-DDD & -SDD;
 (B5121-DD3) FOR 72294-D2D & -S2D;
 AND NUTS (92869-001).
 RECOMMENDED SCREW TORQUE: 1.0 TO
 1.5 MAX in-lbs. (1.2-1.7 cm-kgs).



P/N: 72294-020 (SHOWN)
 ABOVE P.C.B.
 2mm STAND-OFF

mat'l. code		tolerances unless otherwise specified		CUSTOMER COPY		 www.fciconnect.com	
ltr	ecn no	dr	date	linear	.X±.3	projection	title
B					.XX±.13	 MM	DOUBLE DECK HEADER/GUIDE RAILS ASSEMBLY FOR TYPE 123
				angles	.XXX±.051		product family
				dr	0° ±Z'	scale	code
				engr	R.GRAPE 7/16/95	1:1	A4
				chr	D.BRANN 7/16/95		72294
				appd	D.BRANN 7/16/95		sheet 2 of
sheet index	revision sheet						

cage code
22526

All rights strictly reserved. Reproduction or issue to third parties in any
 form whatsoever is not permitted without written authority from the proprietor.
 Property of FCI. Copyright FCI.

All rights strictly reserved. Reproduction or issue to third parties in any form whatsoever is not permitted without written authority from the proprietor. Property of FCI. Copyright FCI.

Tous droits strictement réservés. Reproduction ou communication à des tiers interdite sans aucune forme que ce soit sans autorisation écrite du propriétaire. Propriété de FCI. Droits de reproduction FCI.



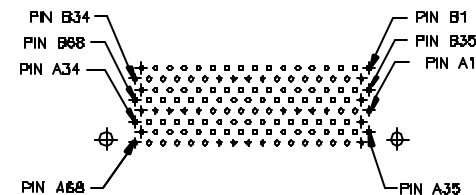
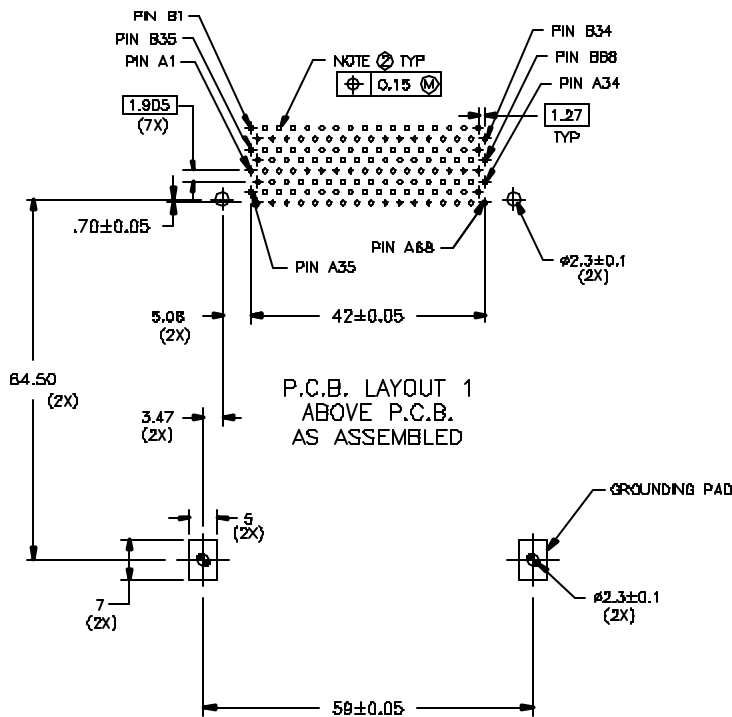
A

B

1 | 2

3 |

4



P.C.B. LAYOUT 2
BELOW P.C.B.
AS ASSEMBLED

A

B

NOTES:

- ALL TOLERANCES ± 0.15 UNLESS NOTED.
- RECOMMENDED DIAMETER IS $\phi 1.0$ FOR PROCESSES USING PASTE REFLOW. HOLE MAY BE AS SMALL AS $\phi 0.75$

mat'l. code		tolerances unless otherwise specified		CUSTOMER COPY		Electronics www.fciconnect.com	
ltr	ecn no	dr	date	linear	projection	title	
B				.X±.3 .XX±.13 .XXX±.051		DOUBLE DECK HEADER / GUIDE RAILS ASSEMBLY FOR TYPE 123	
				angles		product family	code
				dr	MM	MCS	-
				engr	1:1	size	sheet
				chr		A4	3 of
				appd		72294	
sheet index	revision sheet						

1 | 2

3 |

4

ACAD

cage code
22526